



KEEP THE PRODUCT FLOWING



Table of Content

03 who we are

Our Vision & Mission incorporated within our company values

05 why choose us

- **Keep the Product Flowing**
- **Quality is Our Priority**
- **Fast Delivery**
- **Excellent After Sales Services**
- **The Touch of Experience Team**
- **High Quality Polyurethane**
- **Common and Customised Pig Design**

08 our product

1 Bi-Directional Pigs

2 Cup Pig

3 Specialized Pigs

- **Passive Bypass Pig**
- **Spray Pig**
- **Dewaxing Pig**
- **Descaling Pig**
- **Multi-diameter Pig**

4 Polycast Pig

5 Pig Accessories

14 services

1 Pipeline Pigging Solutions

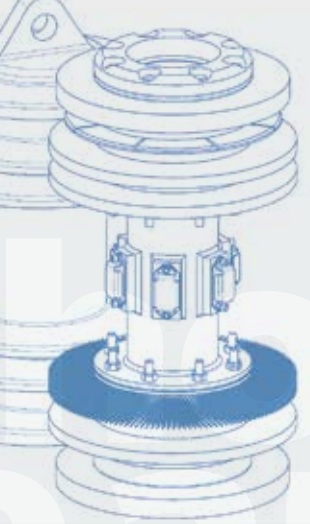
- **Progressive Cleaning**
- **Operational Pigging**
- **Special Cleaning Program**
- **Low Pressure Pipeline Isolation**
- **Pigging Consultancy & Training**

2 Pipeline Inspection Solutions

- **Pipeline Inline Inspection**
- **External Pipeline Inspection**

3 Pipeline Maintenance Solutions

- **Composite Repair Work**
- **Pipeline Blockage Removal**



who we are

Years of hard work, dedication and commitment by Eureka Efektif Sdn Bhd alongside with reputable and strategic partnership with local and foreign players have proven that the company is able to provide with “best in class” quality, delivery and services. Eureka Efektif Sdn Bhd is all set and embarked into a new phase in manufacturing pipeline maintenance solution products and services to complement the current portfolio.

As an ISO9001 certified company, with strong adherence to Health, Safety and Environment policy, Eureka Efektif Sdn Bhd is committed to administering the policies and procedures with integrity, by pursuing the true spirit of company’s vision, mission and service deliverable.

“ There are no secrets to success. It is the result of preparation, hard work, and learning from failure ”.

Colin Powell





OUR VALUES

- ✓ **Effective** - Innovative and effective solutions, Competitive
- ✓ **Efficient** - On time delivery, Timeliness response
- ✓ **Excellence** - High quality products/ services, Customer relationship

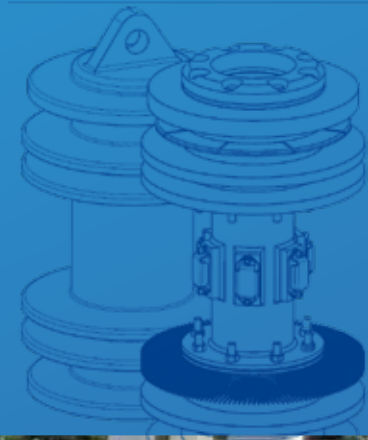
VISION

Eureka Efektif to be the market leader in Asia by providing innovative engineering solutions in pipeline services and products.

MISSION

Eureka Efektif to become an international brand in oil & gas industry by offering competitive, innovative and best quality product and services through collaboration and strategic partnership.

Why Choose Us



Keep the Product Flowing

Pigging is an art of its own. Technical know-how and years of experience running cleaning pigs become the pillar of Eureka Pipeline Pigging Solution. We design, develop, test and produce the solution that will benefit the client as we do believe our solutions work.

Quality is Our Priority

Our commitment is to provide total customer satisfaction by delivering superior quality products within the specified time. Every manufacturing process is dedicated to meet or exceed customer requirements. This is possible by having QA/QC process which is in line with ISO9001:2015 Standard.

The Touch of Experience Team

Eureka cleaning pigs are produced by a team with years of experience in production of polyurethane pigging product and pigging itself. Our team are highly capable in designing, developing, simulating and producing high quality cleaning pigs. With these experiences, and to live up to the name of Eureka, our cleaning pigs will perform the task in hand.

Fast Delivery

With experience team and advance machinery technology, our delivery is the best or at par with industry standard.





Excellent After Sales Services

We believe after sales service of a product is crucially important. Eureka is committed to offer after sales service if required. Consequently, we aim to have long-term relationship with our customers by providing excellent experience to our customer when dealing with us.

High Quality Polyurethane

Eureka cleaning pigs are produced by a team with years of experience in production of polyurethane pigging product and pigging itself. Our team are highly capable in designing, developing, simulating and producing high quality cleaning pigs. With these experiences, and to live up to the name of Eureka, our cleaning pigs will perform the task in hand.

Common and Customised Pig Design

Majority of pipelines have common characteristics albeit some may have different specification. Accordingly, cleaning pigs design plays an important part to assure functionality and passability. Apart of our common design that will be suitable for most pipelines, Eureka is capable to design and develop customised solution to suit specific pipeline condition.

Our Product

1 Bi-Directional Pigs



Description	Application	Sizes	Temperature (Max)	Minimum Bend Radius
<p>The Eureka Bi-directional Cleaning Pigs consist of various combination of high-quality polyurethane discs mounted on hollow metallic pipe. All parts are then secured with standardized durable fasteners avoiding spare part issues. Replacement of parts are relatively easy and fast thanks to excellent design considerations based on years of experience.</p> <p>Eureka Bidirectional Cleaning Pigs can be equipped with various accessories such as brushes, magnets, gauge, transmitter and for some cases pig signaller trigger magnet.</p>	<ol style="list-style-type: none"> 1. Debris removal 2. Flooding 3. Dewatering 4. Batching 5. Gauging 	4" to 48"	100 °C	3D (1.5D upon Request)



2 Cup Pigs



Description	Application	Sizes	Temperature (Max)	Minimum Bend Radius
<p>The Eureka Cup Pigs consist of high-quality polyurethane Cups and discs mounted on hollow metallic pipe. All parts are then secured with standardized durable fasteners avoiding spare part issues.</p> <p>Replacement of parts is relatively easy and fast thanks to excellence design consideration based on years of experience. Eureka Cup Pigs can be equipped with various accessories such as brushes, magnets, gauge, transmitter and for some cases pig signaller trigger magnet.</p>	<ol style="list-style-type: none"> 1. Filling 2. Batching 3. Debris Removal 4. Product Displacement 	4" to 48"	100 °C	3D (1.5D upon Request)

3 Specialized Pigs

Passive Bypass Pig

Eureka Bypass Pigs is deployed to assist operational pigging on high condensate pipeline to avoid high surge of liquid flooding that may result to production trip.



Spray Pig

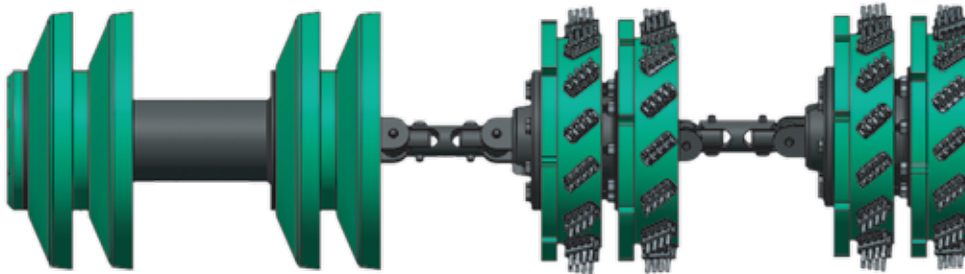
Eureka Spray Pigs is deployed to assist the operational pigging operation specifically in application of Corrosion Inhibitors and other liquid chemicals intended to be applied to the internal surface of the pipeline. Due to differential pressure created across the pig, the chemical liquid being suck and then sprayed to maximize the application coverage on the internal surface of the pipeline.



Dewaxing Pig

The Eureka Dewaxing Pigs come in 3 main designs, the Less Aggressive Single Module Dewaxing Pig, the Ploughing Scraper Dewaxing pig and the Adjustable Multi Module Dewaxing Pig. These designs consist of various combination of high-quality polyurethane discs and cups mounted on hollow metallic pipe. Additional parts to perform the dewaxing work is specially designed serrated guiding disc, additional metallic scraper and pre-installed twist knot brushes. All parts are then secured with standardized durable fasteners avoiding spare part issues.

With its wax cutting and ploughing effect, Eureka Dewaxing Pigs aim to remove heavy wax from pipeline. Eureka Dewaxing Pig deployed in Waxy Pipeline Progressive Pigging or Specialized Pigging Operation where standard cleaning pigs is less effective.



Multi-diameter Pig

Eureka Multi-diameter Pigs is deployed to assist operational pigging on various ID of the pipeline.

Descaling Pig

The Eureka Descaling Pigs come in 2 main designs, the Single Module Descaling Pig, and Multi Module Descaling Pig. Both designs can be adjusted to achieve different level of aggressiveness. These designs consist of various combination of high-quality polyurethane Cups and Disc mounted on hollow metallic pipe. Additional parts to perform the descaling work is specially design tungsten studded cups. All parts are then secured with standardized durable fasteners avoiding spare part issues.

Eureka Descaling Pigs aim to remove pipeline scales by crushing the scales using its heavy-duty tungsten stud. Eureka Descaling Pigs deployed in Scaled Issued Pipeline Progressive Pigging or Specialized Pigging Operation where standard cleaning pigs is less effective.



4 Polycast Pig



Eureka Polycast Pigs are manufactured from high quality Polyurethane material and can be casted into several configurations.

Eureka Polycast Pigs can be used for product removal, batching, hydrostatic testing, and removal of paraffin, debris, or other buildup. Eureka Polycast Pigs are able to negotiate varying internal diameter of the same pipe size and tight-radius bends.

5 Pig Accessories

Polyurethane

- Guiding Disc



- Guiding Disc (Slotted)



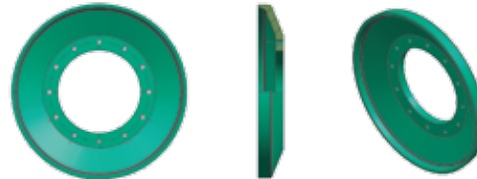
- Sealer Disc



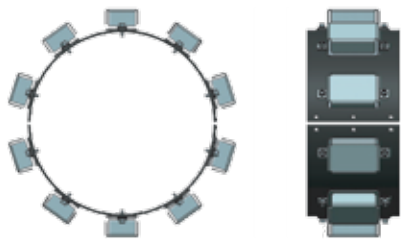
- Spacer Disc



- Cup Disc

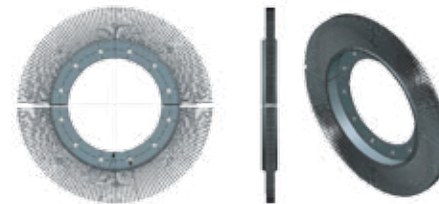


Magnet



Brush

Type : Mild Steel / Spring Steel /
Stainless Steel / Nylon



Gauge Plate

Type : Aluminium





Services

1 Pipeline Pigging Solutions

Progressive Cleaning

Progressive Cleaning Pigging is a pigging campaign that need to be done continuously within a scheduled period of time. This activity is carried out normally prior to any ILI run except in some cases, where production throughput is severely decreased due to debris built up.

The main focus of the Progressive Cleaning Pigging service is to remove heavy sludge / softwax / hardwax / scale from the pipeline to achieve a minimum level of debris in the pipeline. EUREKA EFEKTIF perform Progressive Cleaning Pigging to reduce the risk of ILI failure due to debris and to assure optimum production throughput.

The campaign include the following:

- Running of multiple pig types.
- Common pig type is de-waxing pig & de-scaling pig and cleaning pigs with add on brushes or magnets
- Strategy or sequence of the run will be discussed up front with the Client prior to any execution of work



Operational Pigging

Operational Pigging involve performing pipeline pigging run utilising operational cleaning pigs at scheduled time. The work include performing pig launching, receiving, reporting and if necessary pig tracking.

The Operational Pigging Services assure pipeline cleanliness is achieved to assure optimum production throughout the pipeline and for some pipeline, will help to assist corrosion maintenance program.

Special Cleaning Program

Eureka Efektif's Special Cleaning Pig Program is catered based on Client's request for unique pipeline cleaning program especially for non-standard pipeline design such as those with varying Internal Diameter, Wye Piece, pipeline with check valves, etc. Specialized cleaning pigs will be required for each different jobs in order to achieve the cleaning criteria for the pipeline.

Eureka designs the pig specifically based on the parameter received from clients and various operational and technical aspects shall be considered during the cleaning pig design and development process by our experts.

The common pig type for Special Cleaning Pig Program is de-waxing pig & de-scaling pig. Multi module combo cleaning pigs can also be deployed. The strategy or sequence of the run shall be discussed up front with the Client prior to any execution of work.

Low Pressure Pipeline Isolation

Low Pressure Pipeline Isolation is a service that requires a pipeline to be isolated to ensure the pipeline is safe from the hazardous gas and substances, thus others activities such as valve replacement, short spool replacement & etc can be done before the isolation area.

This service is applicable for a low pressure pipeline near ambient condition and it is the most cost effective isolation method that can be utilised.

EUREKA EFEKTIF's specialised Low Pressure Pipeline Isolation process include the following:

- A special design of high sealing pig will be required in order to perform this activity
- The pipeline will first need to be in shutdown mode
- A high sealing pig will then be launched with an assistance from compressed air or nitrogen

Prior to launch the high sealing pig, a detailed procedure will be developed by our team of specialist to ensure the pig stop at the proposed location and pipeline is safely isolated for next operation.



Pigging Consultancy & Training

Consultancy

EUREKA EFEKTIF being the industry leader in Pipeline products and services provide Pigging Consultancy & Training on various pipeline operations. Our team of experienced Pigging Specialist who have years of field experience provide consultation on the best possible ways to clean the pipeline to achieve a minimum level of debris in the pipeline and to achieve optimum production throughput.

The consultancy services include but not limited to the following:

- Project related to a new build pipeline whereby the client need our expertise to advise on the suitability of the pigging activities on their pipeline configuration, i.e. multiple bend, short bend radius, different wall thickness transition & etc.
- Consultancy services on suitability and effectiveness of cleaning pig tool for the Client's pipeline cleaning pigging program

Our expert consultancy are highly sought after to ensure the cleaning pigging activity can be done on Clients pipeline hence reduce the risk of having debris or corrosion issues in the future.



Training

EUREKA EFEKTIF Pipeline Pigging Training Course is a comprehensive training which is customised and designed to cater specific needs of the Clients. Our course consolidates the fundamentals of both theoretical and practical understanding of pipeline operational pigging operation, inspection, monitoring and maintenance of pigging assets and activities.

These knowledge are critical for pipeline technicians and operators to assess and diagnose potential or existing problems within their pigging program, ensure the program are well designed and assets are maintained for optimum performance.

2 Pipeline Inspection Solutions

Pipeline Inline Inspection

EUREKA EFEKTIF's Pipeline Inline Inspection services are engaged by all Pipeline Operators on a scheduled basis. This service will determine the actual pipeline health conditions and become input to Client's Pipeline Integrity Management System. The results will provide latest information on the pipeline condition hence, decisions in order to manage and operate the pipeline can be taken.

The Pipeline Inline Inspection services include:

- Geometry
- Magnetic Flux Leakage (MFL)
- Ultrasonic
- Umbilical / Tethered Pigging
- Specialised ILI Services

A 'piggable' pipeline is generally required in order to perform the Pipeline Inline Inspection services

Prior to the launch of the inspection tool, detailed assessment of the project and planning on pigging activity will be executed by Eureka Efektif's team of experts.

External Pipeline Inspection

Our External Pipeline Inspection activities consist of multiple inspection methods including side scan sonar, multi-beam bathymetry survey, sub-bottom profile, etc.

The type of activities for External Pipeline Inspection:

- Marine & Pipeline Survey
- Hydrography & Geophysical Survey

This External Inspection Service is critical to ensure our Client have the latest seabed information whether the pipeline still buried and already exposed and also on the information on the pipeline location such as horizontal movement, depth and more

3 Pipeline Maintenance Solutions

Composite Repair Work

Composite Repair Work can be offered to remediate corroded pipeline by applying external composite repair material. The location of the repair work will be determined based on the results from the pipeline inspection activities such as MFL pig run, NDT, etc. Once the location is determined, our Team will prepare and install the composite repair material.

Our Composite Repair Work is a cost effective way to repair most of the pipeline defects. The repair work aim to restore pipeline health. The repair solutions by EUREKA EFEKTIF are available within a short lead times thus, can minimise any potential production downtime.

Pipeline Blockage Removal

Pipeline Blockage Removal is a service that will be required when the pipeline is blocked by high amount of debris, pig stuck or due to other causes. This service is critical to ensure the pipeline can operate again and to increase the production rate subsequently.

EUREKA EFEKTIF's service for Pipeline Blockage Removal include the following processes:

- Identification of blockage location, size and complexities.
- Flow reinstatement strategy development and identification of suitable methods.
- Execution of pigging program or pulsing method or high pressure jetting to restore pipeline flow.



Eureka Efektif Sdn Bhd

Block Heliks-Emas B6-3,
UKM-MTDC Technology Centre,
Universiti Kebangsaan Malaysia,
43650 Bangi, Selangor, Malaysia.

Tel: +603 8922 9488

Fax: +603 8922 9885

Email: info@eurekaefektif.com

Website: www.eurekaefektif.com

**PIPELINE
PIGGING
SOLUTIONS**